

HYDROCLAVE

Infectious Waste Solutions

H-07 REVISION 2



MODEL H-07

HYDROCLAVE ADVANTAGES

- ⊗ Very low operating cost: almost all the steam is recycled.
- ⊗ Complete waste dehydration, including liquid content of the waste.
- ⊗ Low temperature steam process produces no harmful emissions
- ⊗ Treats all infectious waste, including pathological waste
- ⊗ Achieves 6 Log₁₀ sterility, and meets or exceeds all international standards
- ⊗ Site specific design/build services available
- ⊗ Extensive User Training program
- ⊗ Customer product support worldwide
- ⊗ Compliant with all North American and EU regulations

The space saving design and all-in-one Hydroclave™ Model H-07 is the plug and play version of our larger sterilizers.

The model H-07 includes a built-in 36 kW boiler system and is designed for smaller hospitals and clinics that produce up to 600 lbs (275 kg) of medical waste per day.



Ask about our optional accessories designed especially to aid you in efficient plant and facility operation. From Bin/Lift Tippers to shredders and testing equipment, Hydroclave Systems can provide you with a total equipment package custom designed to suit your specific and unique application.

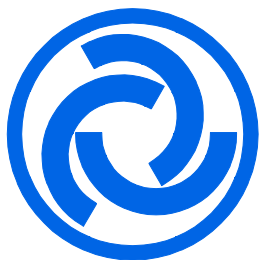
Specifications are subject to change without any notice or obligation on the part of the manufacturer. While due caution has been exercised in the production of this document, possible errors and omissions are unintentional.



HYDROCLAVE SYSTEMS CORP
www.hydroclave.com
662 Norris Court Kingston, Ontario, Canada K7P 2R9
Ph. 613-389-8373 Fx.613-389-8554



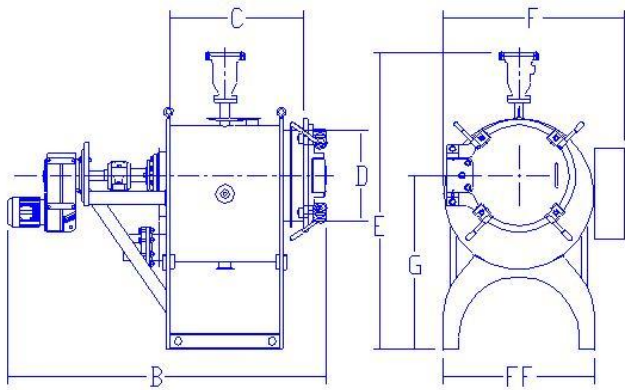
FROM HAZARDOUS TO HARMLESS



HYDROCLAVE

Infectious Waste Solutions

H-07 REVISION 2



	<i>Metric</i>	<i>Imperial</i>
Weight	1642 Kg	3620 lbs
Overall length (B)	229 cm	90"
Length of Vessel (C)	91 cm	36"
Over-all Height (E)	198 cm	78"
Over-all Width (F)	140 cm	55"
Height to Door (G)	115 cm	45"
Load/Unload Port (D)	61 cm	24"
Vessel Construction	S 30400	SA240 304

Consumptions*

	<i>Metric</i>	<i>Imperial</i>
Approx. electrical consumption per batch	10 -15 kW	10 - 15 kW
Water Consumption per batch cycle	90 litres	20 US Gal

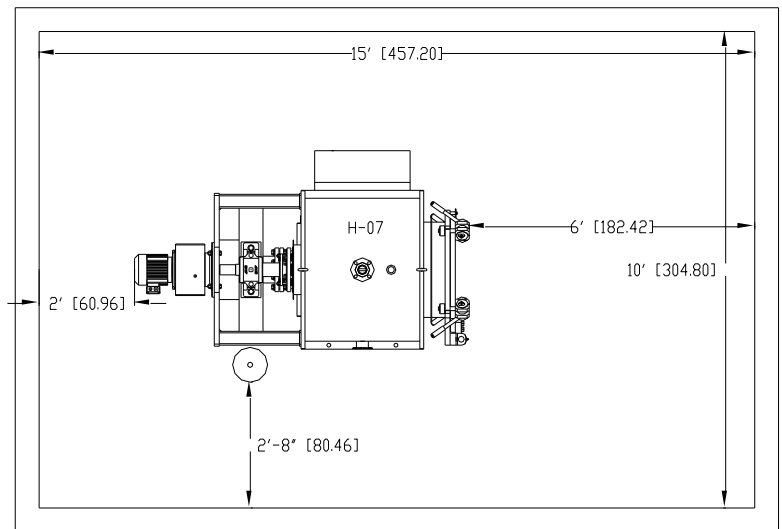
<i>Design Pressure</i>	<i>Metric</i>	<i>Imperial</i>
	7.3 – 14.5 Bar	50 - 100 PSI

Operating Ranges*

Temperature Ranges	121°C– 135°C	250°F– 275°F
Pressure Ranges	1.1 – 2.4 Bar	15 -35 PSI
Sterilization Time	30 mins	30 mins

Minimal Installation Requirements:

- ⊗ **Water piping (city water)**
- ⊗ **Drainage for waste waters**
- ⊗ **Electrical Power Supply (Standard Wiring)**



<i>Capacities</i>	<i>Metric</i>	<i>Imperial</i>
Max Loading Volume	0.21 M ³	7.5 cu ft
Maximum Batch Weight ¹	34 Kg	75 Lbs
Average Cycle Time	60 min	60 min
Drive Motor ^(380v/460v/600v)	2.5 HP	2.5 HP
Heater Element	36 kW	36 kW
Boiler Fill Volume	120 L	32 US Gal

Actual operating conditions may vary, due to variations in waste density and material. For average capacities, please submit waste characteristics for analysis.

Specifications are subject to change without any notice or obligation on the part of the manufacturer. While due caution has been exercised in the production of this document, possible errors and omissions are unintentional.



HYDROCLAVE SYSTEMS CORP
www.hydroclave.com
 662 Norris Court Kingston, Ontario, Canada K7P 2R9
 Ph. 613-389-8373 Fx.613-389-8554



FROM HAZARDOUS TO HARMLESS